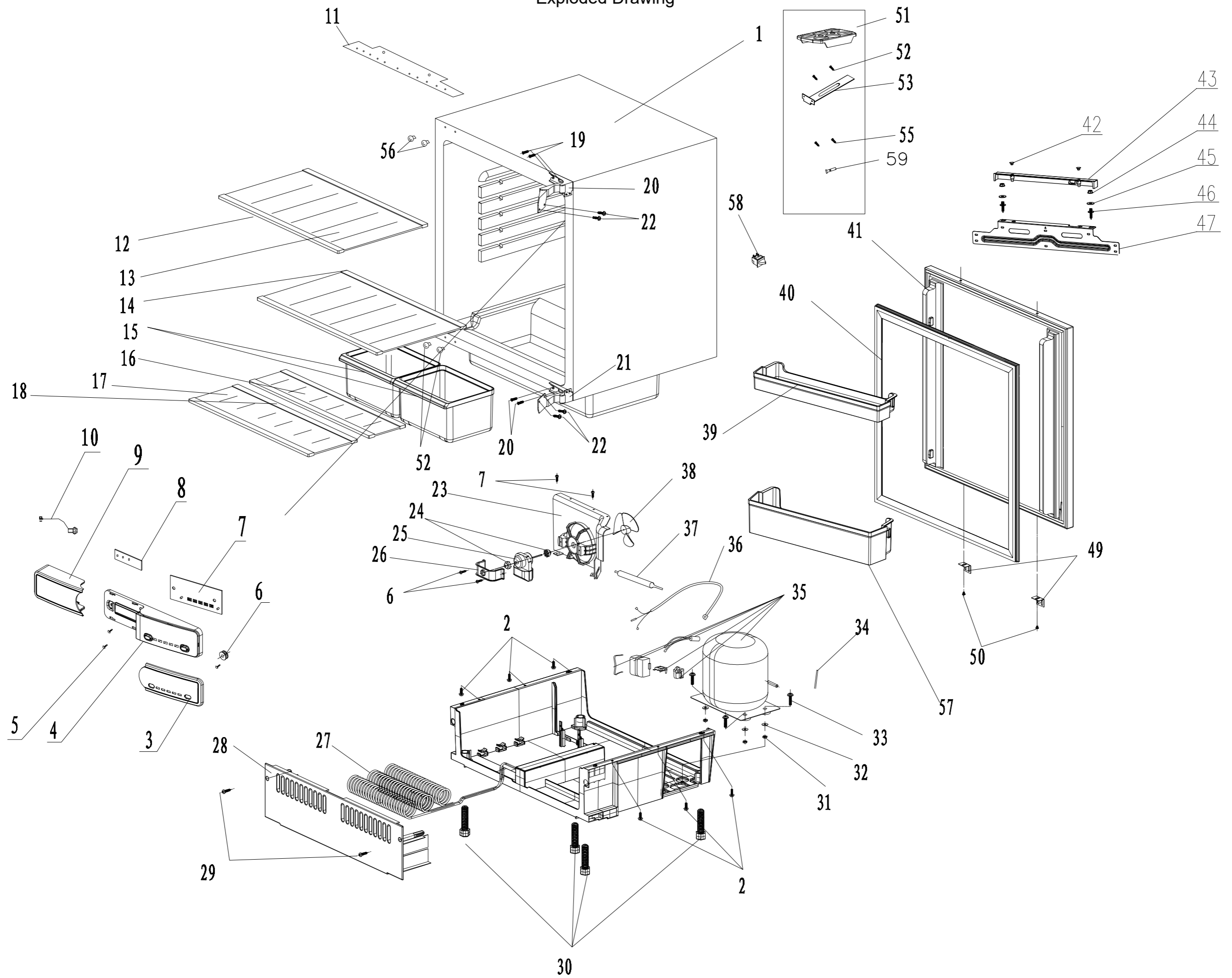


Built Under Fridge
Model Number
GHBUFRUKa
Parts Manual

Exploded Drawing



Spare Parts List

| ID No | Apelson Code | Part Number | Part Description | Qty |
|-------|--------------|-----------------|-------------------------------|-----|
| 1 | AA0000002843 | 2.00.TQ020153-W | FOAMED CABINET | 1 |
| 2 | 112B48160AB4 | 1.12.B48160-AB4 | SELF TAPPING SCREW | 4 |
| 3 | AA0000002844 | 1.06.TQ4474-324 | TEMPERATURE CONTROL BOX COVER | 1 |
| 4 | AA0000001661 | 1.06.TQ4472-324 | THERMOSTAT BOX | 1 |
| 5 | AA0000002802 | 1.12.B39160-AB7 | SELF TAPPING SCREW | 4 |
| 6 | 60702705 | 1.06.TQ5570-113 | FIXING BASE | 1 |
| 7 | AA0000002845 | 1.27.01D2XX-324 | MAIN CONTROL BOARD | 1 |
| 8 | AA0000001663 | 1.30.3D360X-302 | LED LAMP | 1 |
| 9 | AA0000001664 | 1.06.TQ4470-324 | LAMP COVER | 1 |
| 10 | AA0000002846 | 2.32.DTQ102-325 | CONNECTING | 1 |
| 11 | AA0000001678 | 2.24.1410102-01 | TOP FIXIATION PANEL | 1 |
| 12 | AA0000002847 | 1.06.TQ197I-101 | SHELF FRONT LINER | 3 |
| 13 | AA0000002848 | 1.42.13TQ39-325 | SHELF GLASS | 2 |
| 14 | AA0000002849 | 1.06.TQ1977-101 | SHELF BACK LINER | 3 |
| 15 | 60702265 | 1.06.TQ2370-101 | CRISPER | 2 |
| 16 | 14235TQ39101 | 1.42.35TQ39-101 | CRISPER COVER A | 1 |
| 17 | 14236TQ39101 | 1.42.36TQ39-101 | CRISPER COVER B | 1 |
| 18 | AA0000002850 | 1.06.TQ1977-101 | SHELF BACK LINER | 2 |
| 19 | 112M50130AB4 | 1.12.M50130-AB4 | DORMANT BOLT | 4 |
| 20 | AA0000002804 | 1.11.01101TQ-08 | HIGH GEMEL | 1 |
| 21 | AA0000002805 | 1.11.03101TQ-11 | LOWER GEMEL | 1 |
| 22 | AA0000002803 | 1.13.M05016-104 | SCREW | 4 |
| 23 | 60702220 | 1.06.TQ9J70-101 | WIND COWLING | 1 |
| 24 | AA0000002806 | 1.38.04PF027-01 | AIR BLOWER CRASH PAD | 2 |
| 25 | 64901005 | 1.33.DTQ431-100 | FAN MOTOR | 1 |
| 26 | 64900830 | 1.11.61TQ027-01 | WIND RACK | 1 |
| 27 | AA0000001697 | 2.20.A0TQ01-101 | CONDENSER | 1 |
| 28 | AA0000001669 | 1.06.TQ9K70-323 | FIRST GUARD SHIELD | 1 |
| 29 | 62701120 | 1.12.B48250-AB4 | SELF TAPPING SCREW | 2 |
| 30 | 60702230 | 1.06.TQ2121-101 | ADJUSTABLE FOOTING | 4 |
| 31 | 63500195 | 1.14.Z06000-006 | NUT | 4 |
| 32 | 63500195 | 1.14.Z06000-006 | FILLING PIECE | 4 |
| 33 | 113G60280104 | 1.13.G60280-104 | FLANGE SCREW | 4 |
| 34 | AA0000002818 | 2.20.B3TQ00-000 | CHARGING PIPE | 1 |
| 35 | AA0000002851 | 1.10.12133E-GXX | COMPRESSOR | 1 |
| 36 | AA0000002809 | 1.28.DD2824-101 | POWER LINE | 1 |
| 13150 | AA0000002808 | 1.28.BD2C24-101 | POWER LINE | 1 |
| 37 | 1460400TQ014 | 1.46.0400TQ-014 | DRYER ASSEMBLY | 1 |

| | | | | |
|----|--------------|-----------------|--------------------------------|----|
| 38 | 106TQ7511027 | 1.06.TQ7511-027 | WIND LEAF | 1 |
| 39 | AA0000002268 | 1.06.TQ0671-324 | UP PUTS THE FRAME | 1 |
| 40 | AA0000001672 | 2.25.100102-101 | GATE SEAL | 1 |
| 41 | AA0000002852 | 2.01.R6TQ02-325 | FOAMED DOOR | 1 |
| 42 | AA0000002812 | 1.06.TQ9371-105 | SHAFT SLEEVE HOLE COVER | 2 |
| 43 | AA0000002813 | 1.06.TQ4975-439 | DECORATIVE COVER | 1 |
| 44 | AA0000002814 | 1.14.E08000-00F | NUT WITH WASHER | 2 |
| 45 | AA0000002815 | 1.14.A08500-00F | PAD | 2 |
| 46 | AA0000002816 | 1.13.Z600XX-105 | ADJUSTING BOLT | 2 |
| 47 | AA0000002817 | 2.24.0915802-04 | ADJUSTING THE HORIZONTAL PLATE | 1 |
| 49 | 1.11.75101TQ | 1.11.75101TQ-02 | FIXED BLOCK | 2 |
| 50 | 113M60080104 | 1.13.M60080-104 | FLANGE SCREW | 2 |
| 51 | AA0000002853 | 1.06.TQ0421-034 | EGG SHELF | 1 |
| 52 | AA0000002825 | 1.13.M50130-104 | FLANGE SCREW | 2 |
| 53 | 69409680 | 1.11.82105TQ-05 | CONNECTING PIN | 1 |
| 55 | AA0000002822 | 1.12.M39120-MS4 | SELF TAPPING SCREW | 18 |
| 56 | AA0000002820 | 1.06.TQ2620-142 | SCREW HOLE PLUG | 8 |
| 57 | AA0000001679 | 1.06.TQ0870-324 | PUTS THE FRAME | 1 |
| 58 | AA0000002854 | 1.29.11X101-000 | DOOR SWITCH | 1 |
| 59 | AA0000002824 | 1.06.TQ3210-101 | HINGE COVER | 2 |